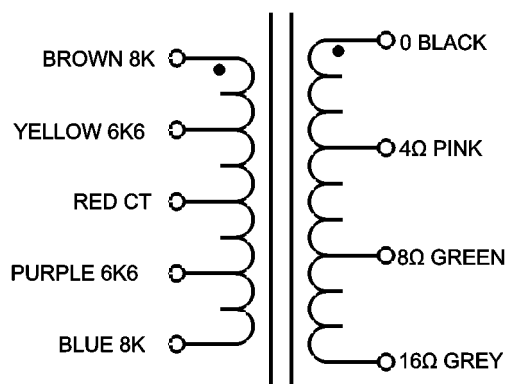


DIMENSIONS	
A	100mm
B	84mm
C	69mm
D	92mm
E	40mm
F	60mm



OT32402SSZ Specification	
Impedance Primary: 8kΩ-6K6Ω	
Inductance Primary 8kΩ: => 660 Henry (@240V, 50Hz Open Circuit)	
Inductance Primary 6k6Ω: => 540 Henry (@240V, 50Hz Open Circuit)	
Impedance Secondary: 4Ω, 8Ω, 16Ω	
Max Power: 70 Watt	
Re (a-a) 8kΩ: 185Ω +/- 5%	
Re (a-a) 6K6Ω: 165Ω +/- 5%	

ROSAMP		
TITLE:	JTM45 Output Transformer	
DATE: 09/22	REV: 1.0	SHEET: 1/1